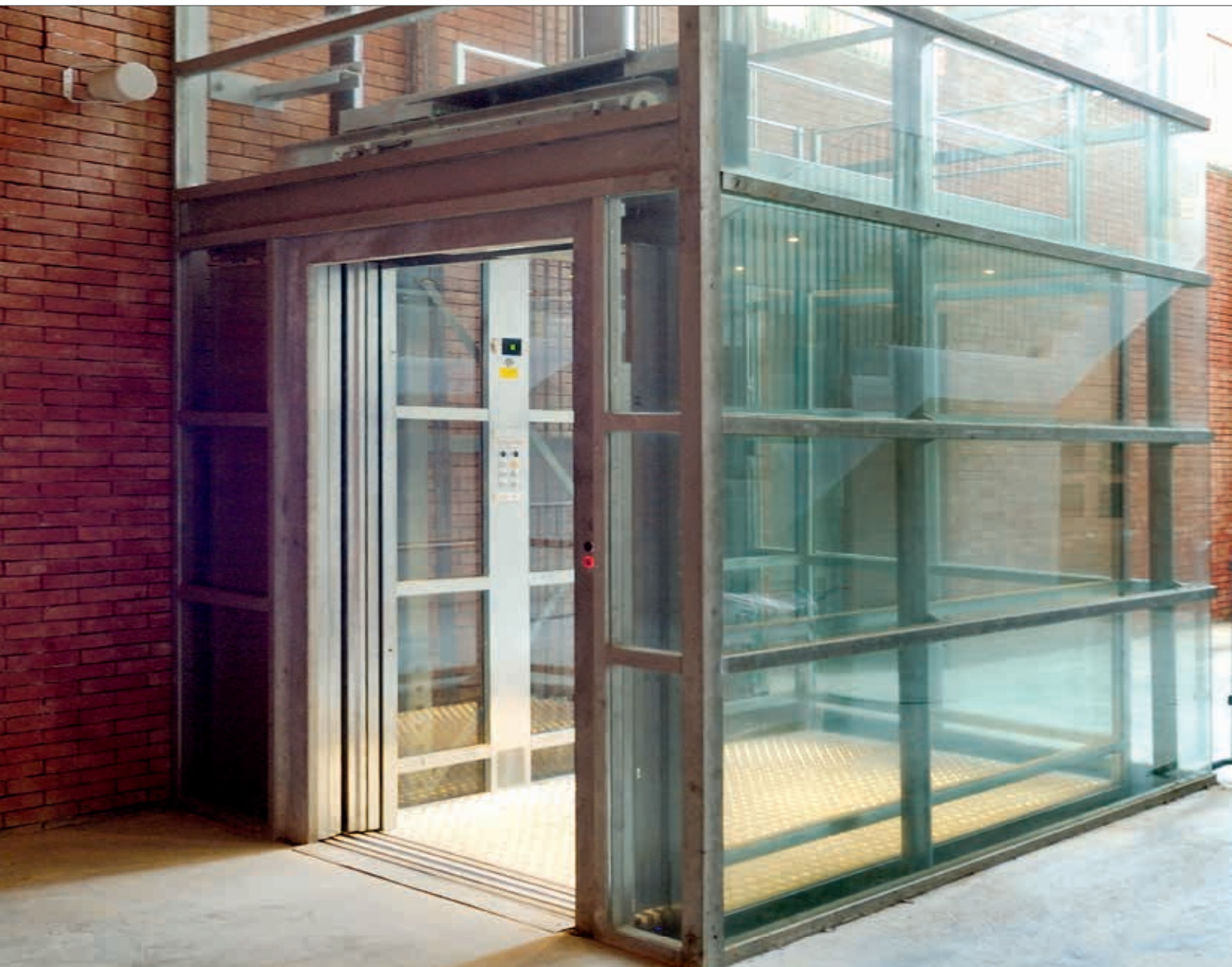




STRONG and **RELIABLE**
for Heavy Duty



WWW.MONDONOVA.IT

DESIGNED AND MANUFACTURED BY



HYDRAULIC LIFT

for Passengers or Passengers and Goods

CE certified in compliance with Machine Directive 2006/42/CE

TECHNICAL FEATURES (for reference)

LIFT

Entrances: single, through entrances, adjacent entrances

Speed: 0.15 m/s (0.3 m/s Extra-UE)

Power supply: 400 Vac 3 phase – 50Hz

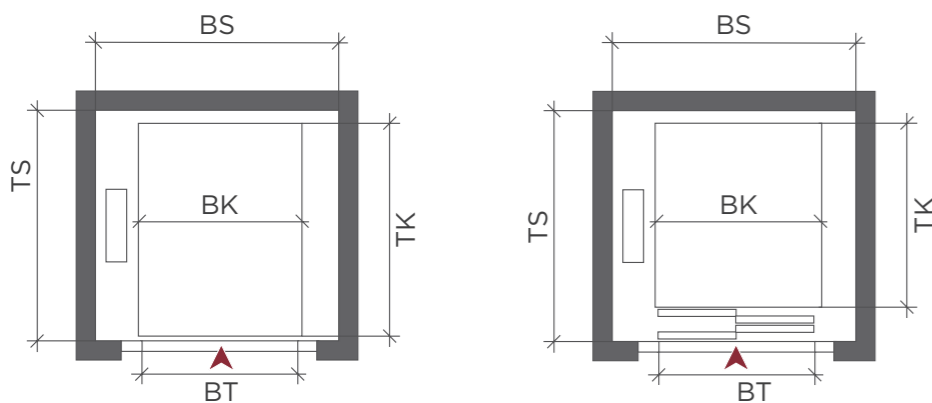
Maximum travel: 12 m

Pit: 350 mm min.

Headroom: 2700 mm min.

Nr. of Entrances: up to 3 sides

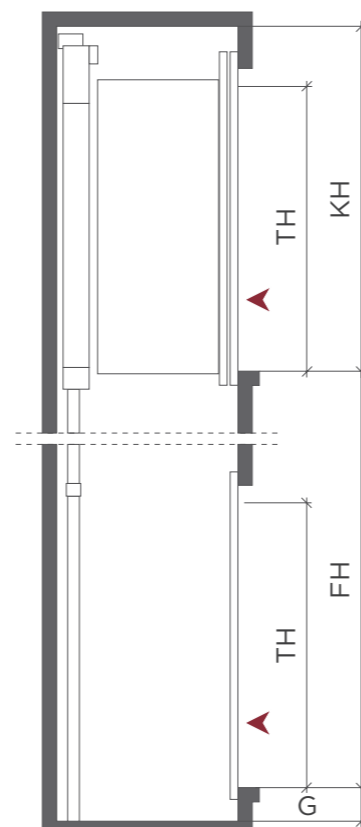
- Operation:**
- *Combined:* Hold-to-run call operation without cabin door
 - *Fully automatic call operation:* with "SIMPA" system or automatic sliding doors in cabin



CABIN

Cabin height clearance: 2100 mm

VERTICAL SECTION



Duty Load (Kg)	Persons	Maximum cabin surface (sqm)	Maximum cabin * size (mm) "BK x TK"	Shaft size (mm) * "BS x TS"
750	10	2,8	1500x1850 / 1100x2500	1950x2200 / 1550x2850
1000	13	3,6	1500x2400 / 1400x2500	1950x2200 / 1550x2850
1200	16	4,0	1700x2400 / 1600x2500	1950x2750 / 1850x2850
1500	20	4,3	1700x2500 / 2200x2850	2200x2750 / 2100x2850

* Recommended sizes related to masonry shaft with 900 mm automatic sliding doors, single entrance (see layout).

CABIN FINISHES

	Standard	Options
Cabin parts	Vertical panels walls	Skinplate Galvanised, RAL painted 7001, Brushed stainless steel
	COP	Skinplate as cabin walls Same as cabin walls
	Ceiling	White Same as cabin walls
	Flooring	PVC Steel chequered plate / Aluminium chequered plate
	Lighting	4 led spots lighting 6 led spots / led square panel
	Bumper Rails	- Wooden

CABIN DOORS

	Standard	Options
Sliding	Type	2TL 2CE-4CE
	Door opening (mm)	900 From 800 to 1200
	Door height (mm)	2000 2100
	Finishes	Skinplate as cabin walls Galvanised, RAL painted 7001, Brushed stainless steel

LANDING DOORS

	Standard	Options
Swing Doors	Type	ANNA EMMA, LITZ, MARYLIN
	Door opening (mm)	900 From 800 to 1200
	Door height (mm)	2000 2100
	Nr. Of panels	1 2
	Frames width (mm)	100 100 ÷ 150
	Finish	embossed RAL 7001 embossed RAL
	90° hold-open devices	Yes -
	Fire rated door	- Yes
Enabling keys	- Yes	

	Standard	Options
Slidings	Type	2TL 2CE-4CE, 2TL-E, 2CE-E, 2TL-EI, 2CE-EI
	Door opening (mm)	900 From 800 to 1200
	Door height (mm)	2000 2100
	Frames width (mm)	120 90 (for EI models)
Finish	embossed RAL 7001 RAL (embossed), brushed stainless steel	

Remark:

- Loading and unloading allowed with standard transpallet for normally moved.
- For special solutions, please contact Nova Elevators.



WWW.MONDONOVA.IT



INFO@MONDONOVA.IT

OCTOBER 2018 EDITION



NOVA s.r.l | VIA G. GALILEI, 116/C - 40014 PALATA PEPOLI - CREVALCORE (BOLOGNA) - ITALIA
TEL. +39.051.985.330 FAX +39.051.985.220

WWW.MONDONOVA.IT
INFO@MONDONOVA.IT

ASSOCIATED:

